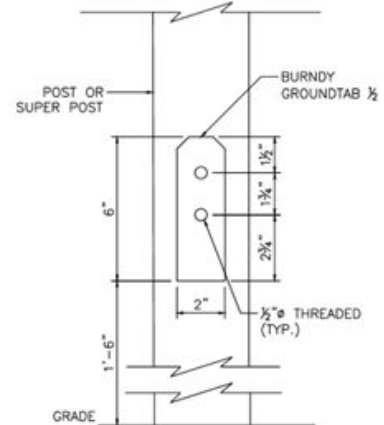
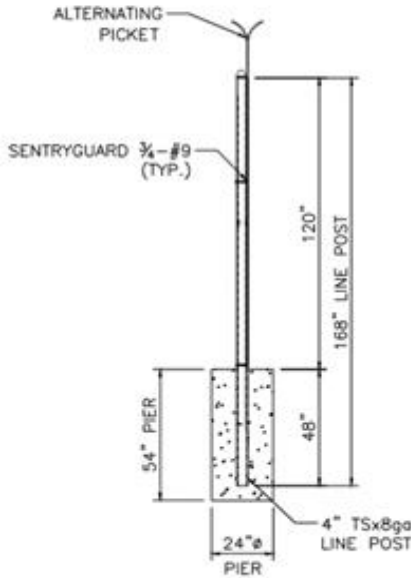


4 PALISADE PICKET DETAIL
SCALE: NTS

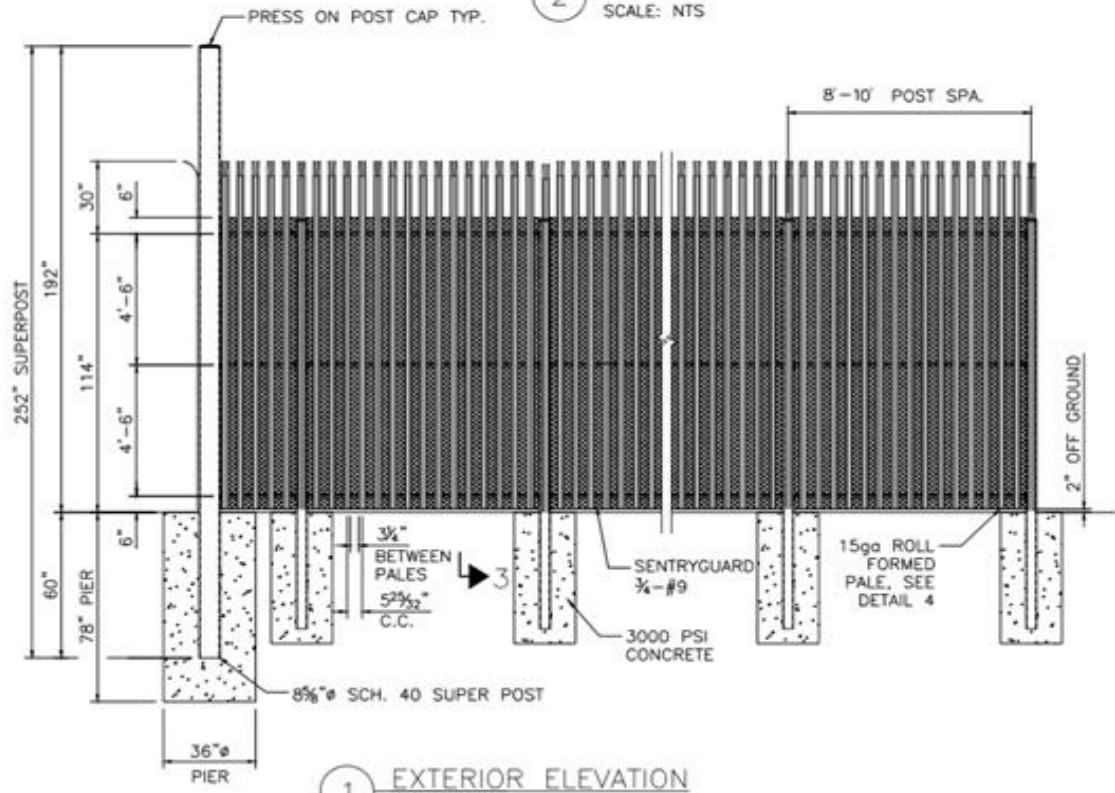
2 PLAN
SCALE: NTS



5 FENCE POST GROUNDING DETAIL
SCALE: NTS



3 SECTION
SCALE: NTS



1 EXTERIOR ELEVATION
SCALE: NTS



NOTES:

1. Fence System have been designed for a 105mph wind load
2. Fence designed as exposure category C in accordance with ASCE 7-10
3. Rapid Deploy Quick Install
4. No Brackets

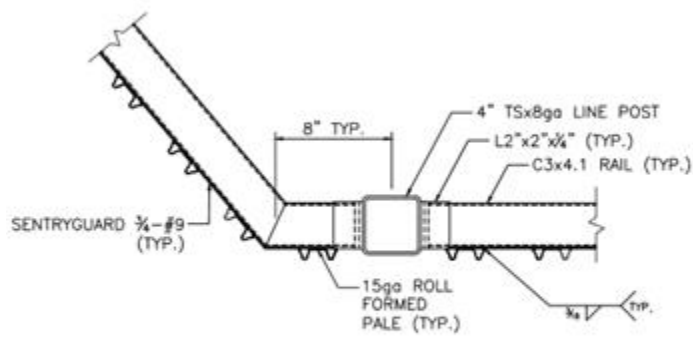
IFI-14 Palisade Fence

NOT TO SCALE

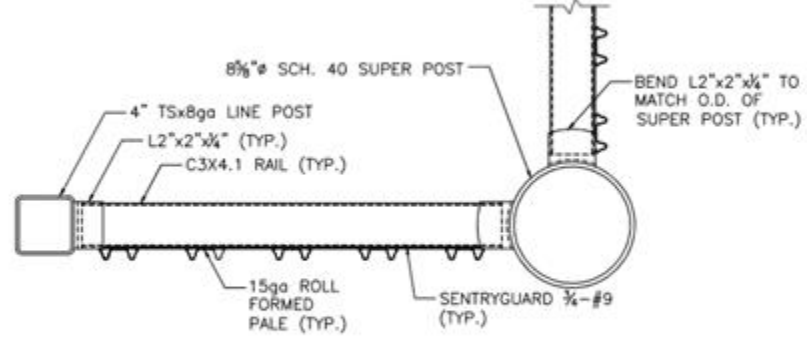
Perimeter Security Solutions

1300 S Kilbourn Avenue. Chicago IL 60623 Main:773-521-9900
www.perimetersecuritysolutions

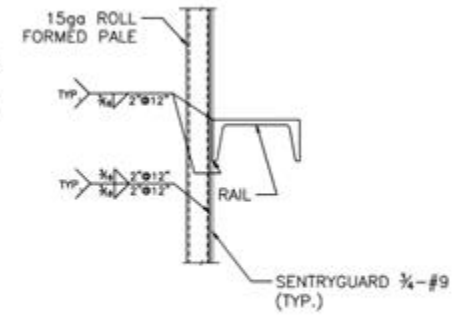




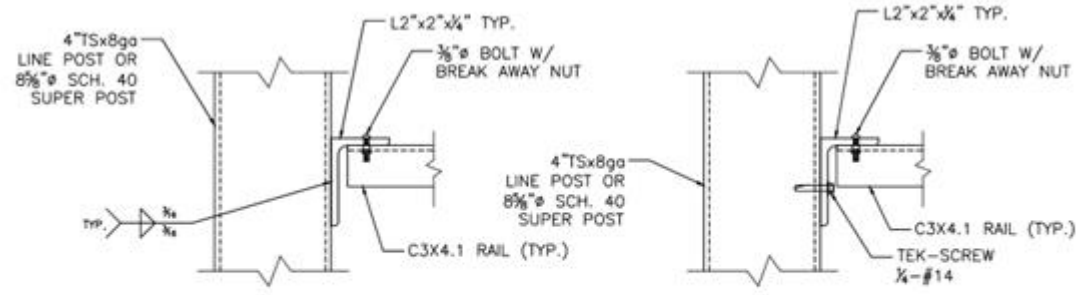
1 CORNER DETAIL
SCALE: NTS



2 SUPER POST CORNER DETAIL
SCALE: NTS



3 MESH ATTACHMENT
SCALE: NTS



OPTION 1

OPTION 2

4 RAIL TO POST CONNECTION
SCALE: NTS

NOTES:



1. Fence System have been designed for a 105mph wind load
2. Fence designed as exposure category C in accordance with ASCE 7-10
3. Rapid Deploy Quick Install
4. No Brackets

IFI-14 Palisade Fence

NOT TO SCALE

Perimeter Security Solutions

1300 S Kilbourn Avenue. Chicago IL 60623 Main:773-521-9900
www.perimetersecuritysolutions

