

Perimeter Security Solutions

IFI-12 Mini Louver Fence

Security Fence

INDEX OF DRAWINGS

<u>SHEET NO.</u>	<u>SHEET TITLE</u>
1	TITLE SHEET AND GENERAL NOTES
2	EXTERIOR ELEVATION
3	TYPICAL DETAILS
4	GATE 1 FRAME
5	GATE 2 FRAME
6	GATE 1 DETAILS
7	TYPICAL DETAILS
8	GATE OPERATOR DETAILS

GENERAL NOTES:

1. THE CONTRACTOR SHALL VERIFY EXISTING CONDITIONS, DIMENSIONS, AND ELEVATIONS IN THE FIELD PRIOR TO FABRICATION AND INSTALLATION OF ANY MATERIALS.
2. SECURITY SYSTEM CONDUITS AND CABLES SHALL NOT EXCEED 50 PLF.

MATERIAL NOTES:

1. ALL MATERIALS USED ON THE PROJECT SHALL BE AS SPECIFIED. SUBSTITUTIONS SHALL NOT BE PERMITTED WITHOUT APPROVAL FROM COLLINS ENGINEERS, INC.
2. POSTS AND RAILS SHALL BE GRADE 50 PIPES (Fy=30 KSI).
3. ALL WELDING SHALL USE E70XX ELECTRODES.
4. MISCELLANEOUS STEEL (TENSION BARS, TENSION BANDS, BRACE BANDS, BOULEVARD CLAMPS, AND BOLTS) SHALL BE MINIMUM GRADE 30 (Fy=30 KSI).
5. GATE HINGES SHALL BE HEAVY DUTY RATED FOR MIN. 3'X7' GATE DIMENSION.
6. CONCRETE ENCASUREMENT SHALL HAVE MINIMUM COMPRESSIVE STRENGTH (f'c) OF 3000 PSI AT 14 DAYS.

Notes

1. Design for a 115-mph wind load.
2. Category C ASCE 7-10
3. Rapid Deployed "Easy Install"
4. "No Brackets"
5. Made In America
6. Patented



IFI-12 Mini Louver Barrier™

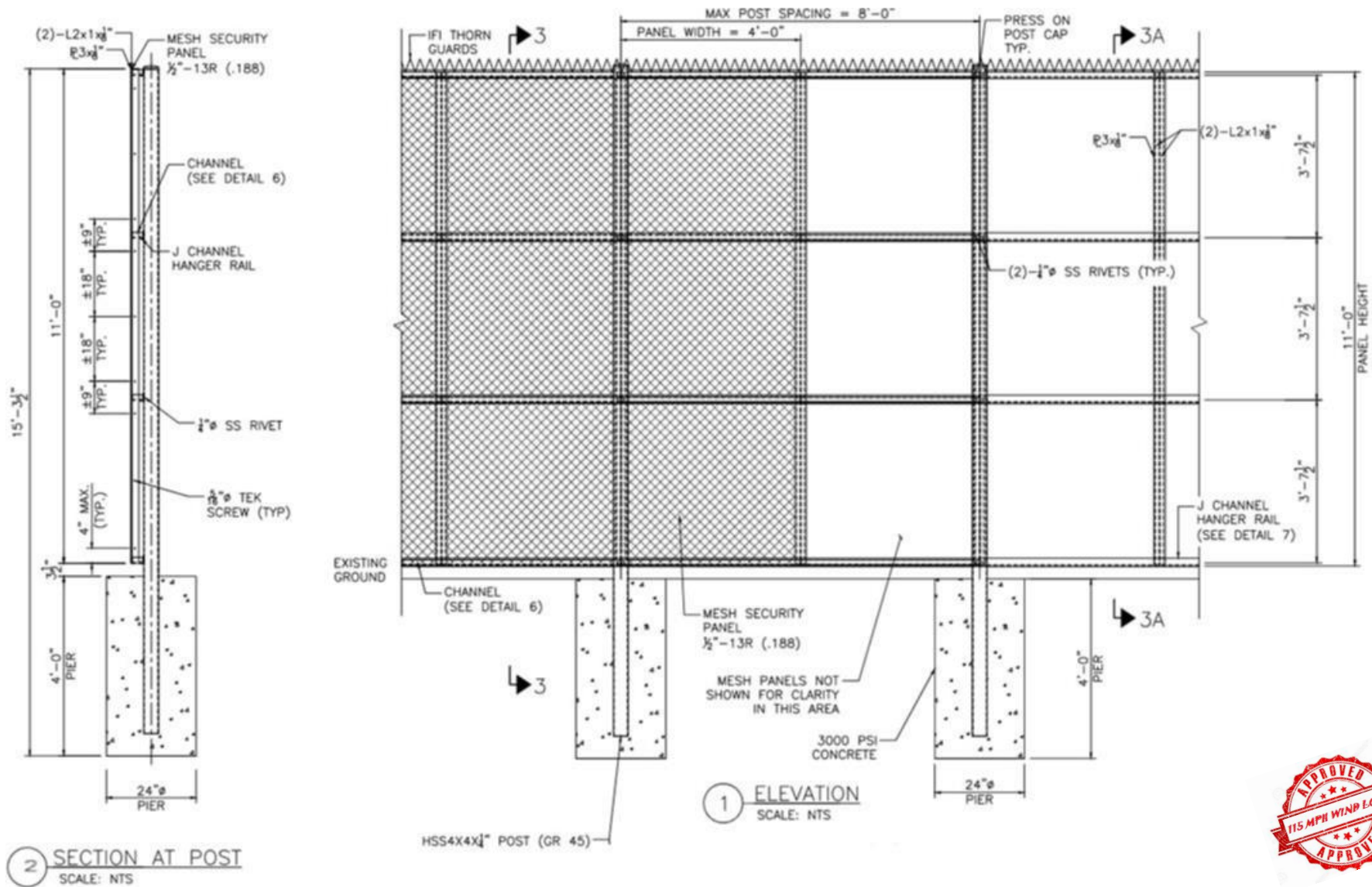
NOT TO SCALE



Perimeter Security Solutions.™

1300 S Kilbourn Ave Chicago IL 60623

www.perimetersecuritysolutions.com



Notes

1. Design for a 115-mph wind load.
2. Category C ASCE 7-10
3. Rapid Deployed "Easy Install"
4. "No Brackets"
5. Made In America
6. Patented



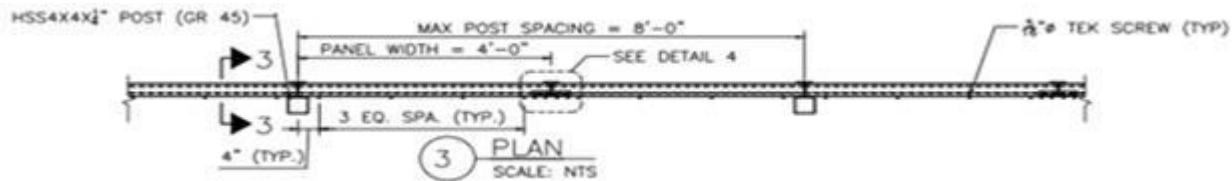
IFI-12 Mini Louver Barrier™

NOT TO SCALE

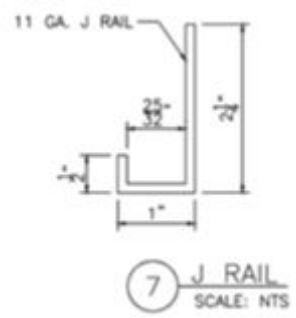
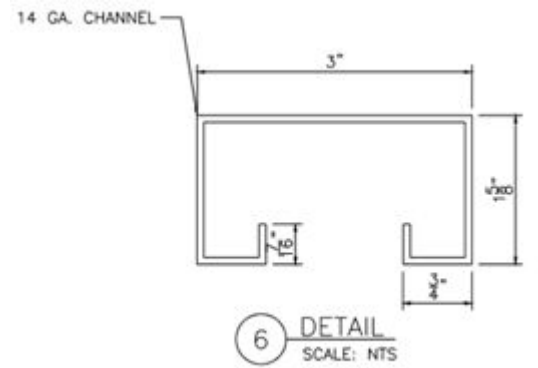
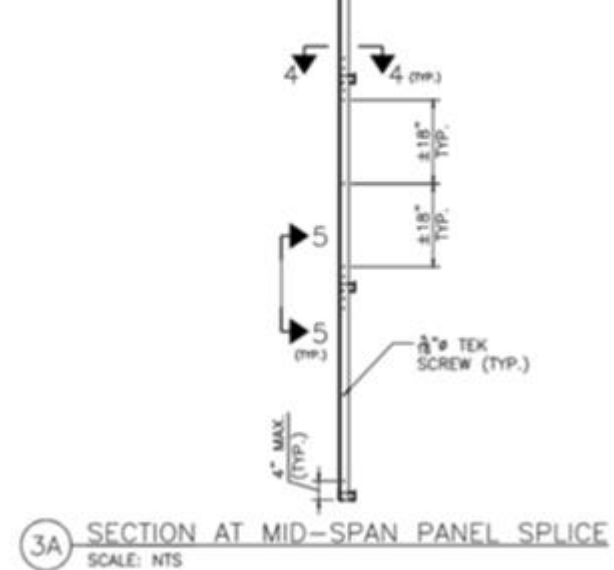
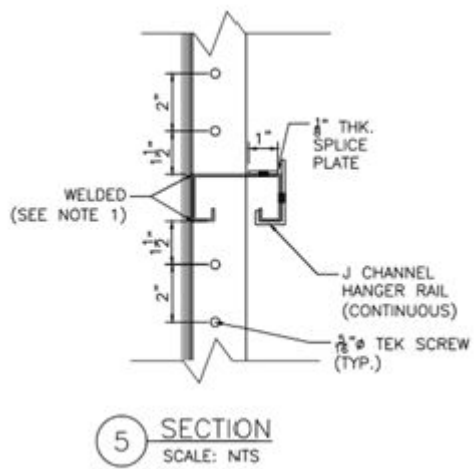
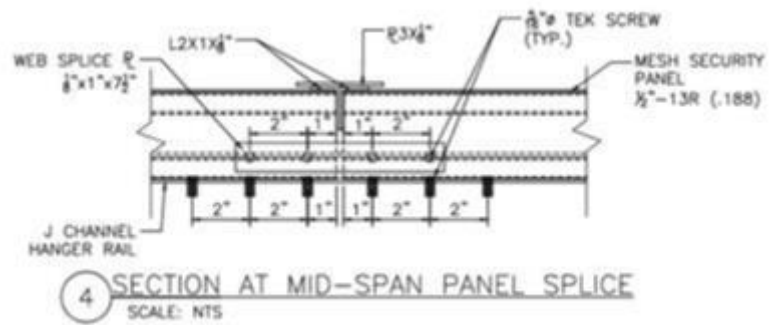
PSS Perimeter Security Solutions™

1300 S Kilbourn Ave Chicago IL 60623

www.perimetersecuritysolutions.com



NOTE:
CHANNEL WEB SPLICE (R 1/2"x1"x7/8")
NOT REQUIRED AT POST LOCATIONS.



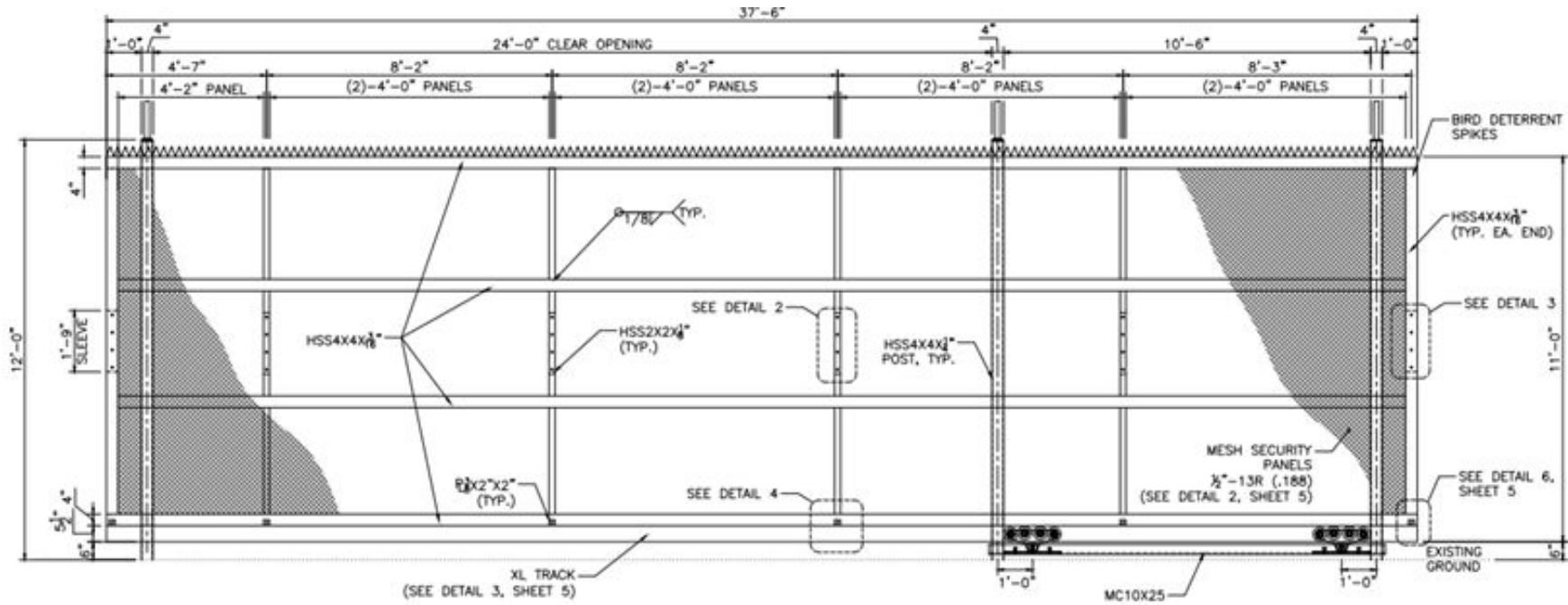
- Notes**
1. Design for a 115-mph wind load.
 2. Category C ASCE 7-10
 3. Rapid Deployed "Easy Install"
 4. "No Brackets"
 5. Made In America
 6. Patented



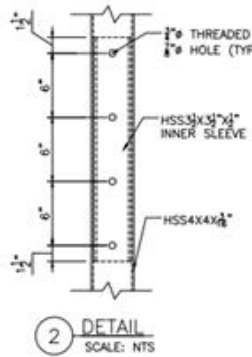
IFI-12 Mini Louver Barrier™

NOT TO SCALE

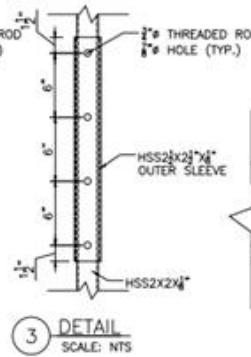
PSS Perimeter Security Solutions™
 1300 S Kilbourn Ave Chicago IL 60623
www.perimetersecuritysolutions.com



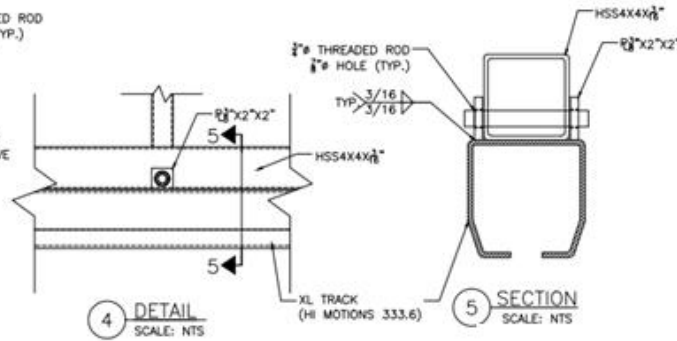
1 CANTILEVER GATE ELEVATION
SCALE: NTS



2 DETAIL
SCALE: NTS



3 DETAIL
SCALE: NTS



4 DETAIL
SCALE: NTS

5 SECTION
SCALE: NTS

Notes

1. Design for a 115-mph wind load.
2. Category C ASCE 7-10
3. Rapid Deployed "Easy Install"
4. "No Brackets"
5. Made In America
6. Patented



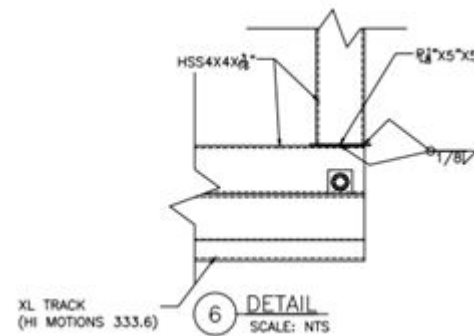
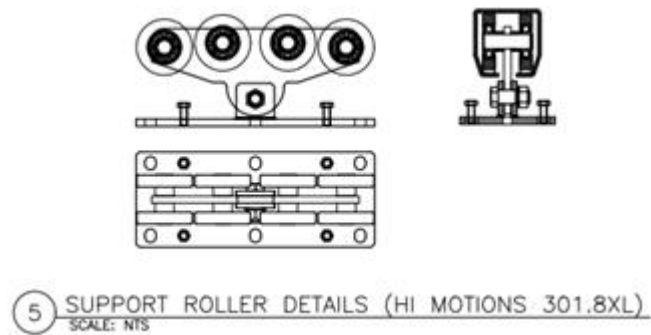
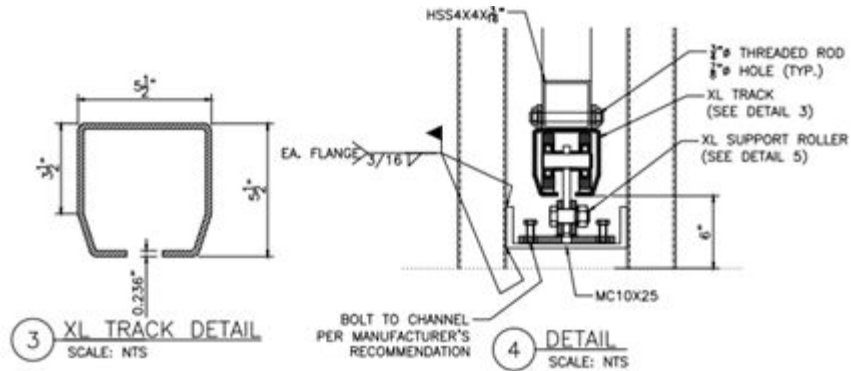
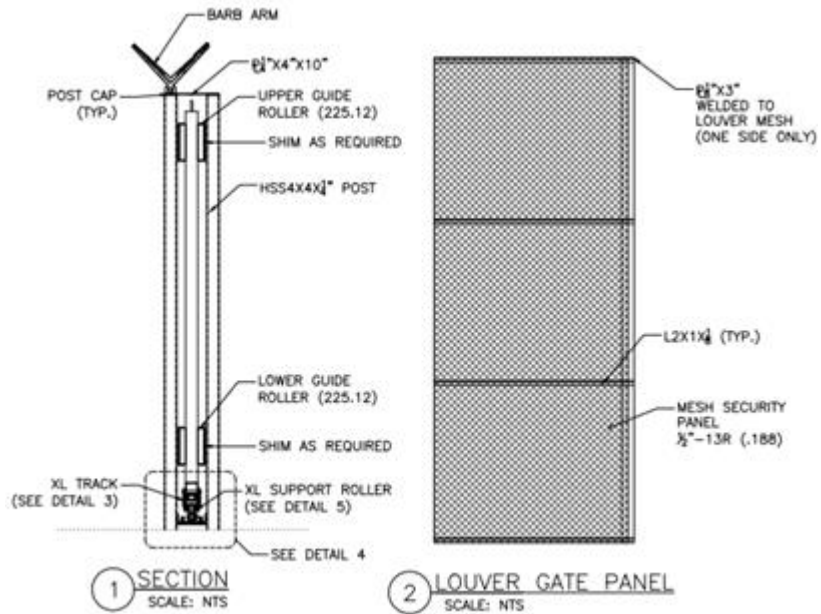
Astro-Glide Gate™

NOT TO SCALE

PSS Perimeter Security Solutions™

1300 S Kilbourn Ave Chicago IL 60623

www.perimetersecuritysolutions.com



Notes

1. Design for a 115-mph wind load.
2. Category C ASCE 7-10
3. Rapid Deployed "Easy Install"
4. "No Brackets"
5. Made In America
6. Patented



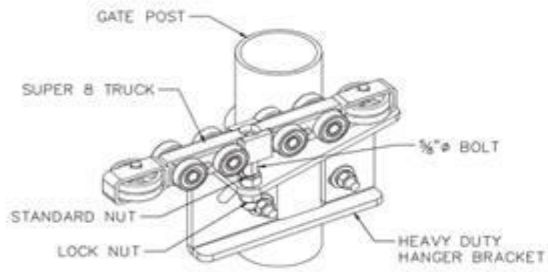
Astro-Glide Gate™

NOT TO SCALE

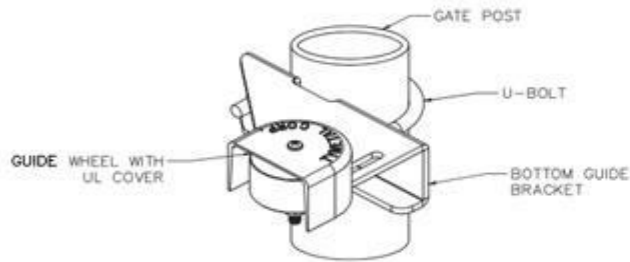
PSS Perimeter Security Solutions™

1300 S Kilbourn Ave Chicago IL 60623

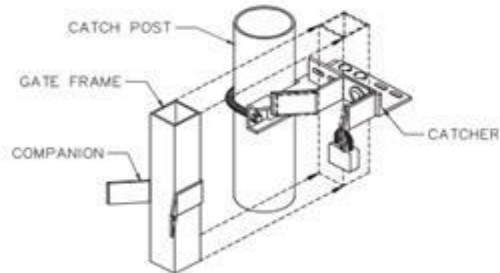
www.perimetersecuritysolutions.com



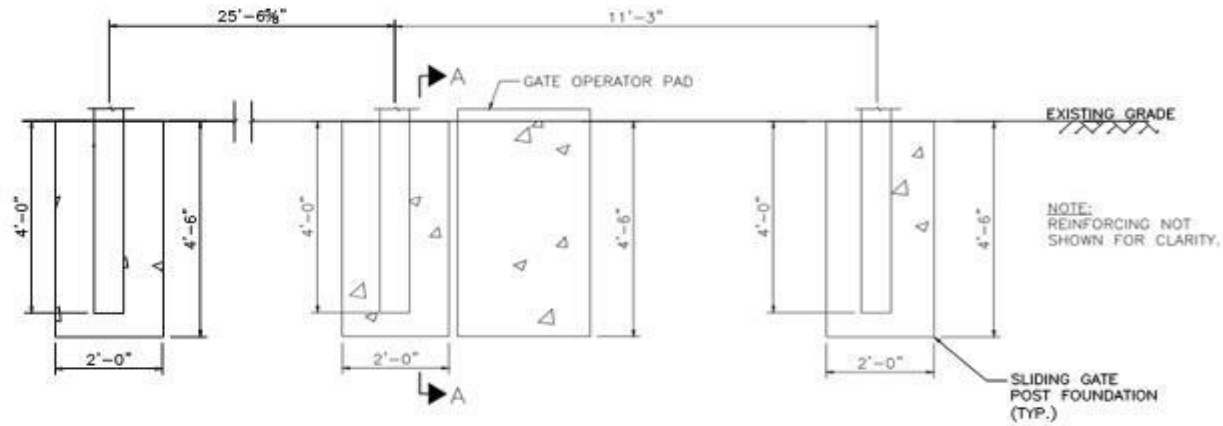
1 GATE HANGER ASSEMBLY
SCALE: NTS



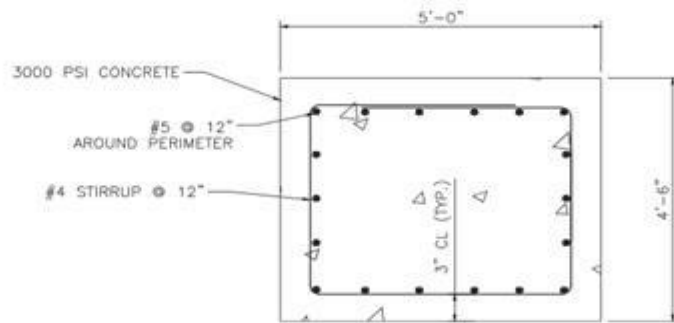
2 BOTTOM GUIDE ASSEMBLY
SCALE: NTS



3 CATCH ASSEMBLY
SCALE: NTS



4 GATE FOUNDATION
SCALE: NTS



5 SECTION A-A
SCALE: NTS

Notes

1. Design for a 115-mph wind load.
2. Category C ASCE 7-10
3. Rapid Deployed "Easy Install"
4. "No Brackets"
5. Made In America
6. Patented



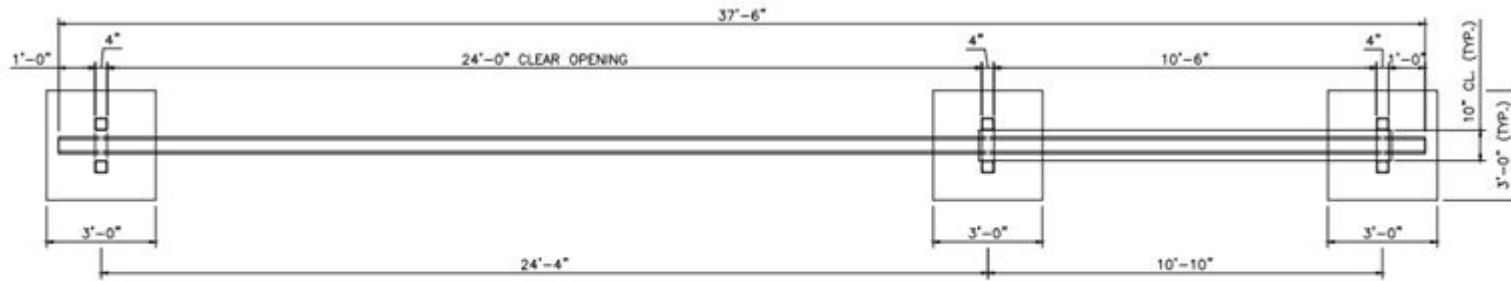
Astro-Glide Gate™

NOT TO SCALE

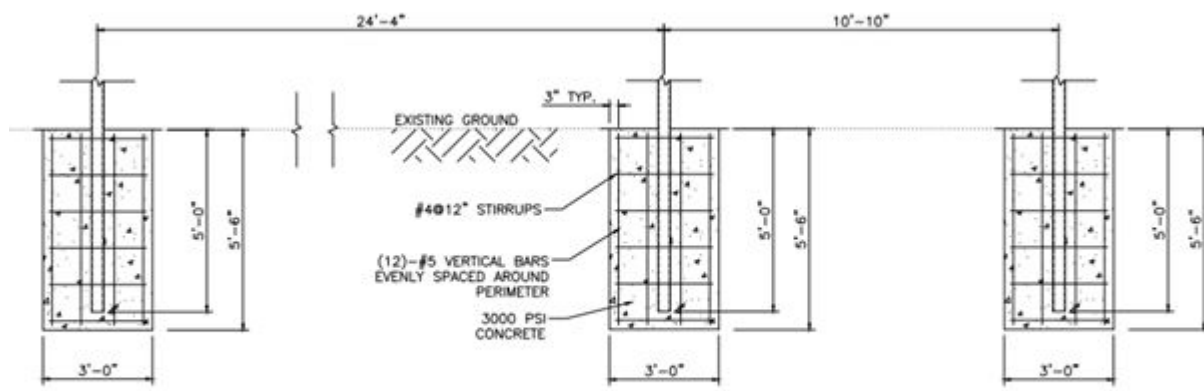
PSS Perimeter Security Solutions.™

1300 S Kilbourn Ave Chicago IL 60623

www.perimetersecuritysolutions.com



1 CANTILEVER GATE PLAN
SCALE: NTS



2 24' OPENING GATE FOUNDATION
SCALE: NTS

Notes

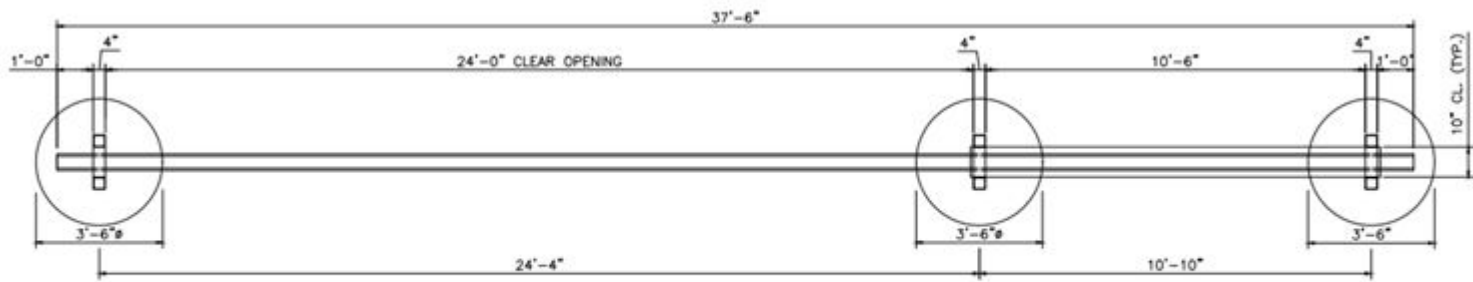
1. Design for a 115-mph wind load.
2. Category C ASCE 7-10
3. Rapid Deployed "Easy Install"
4. "No Brackets"
5. Made In America
6. Patented



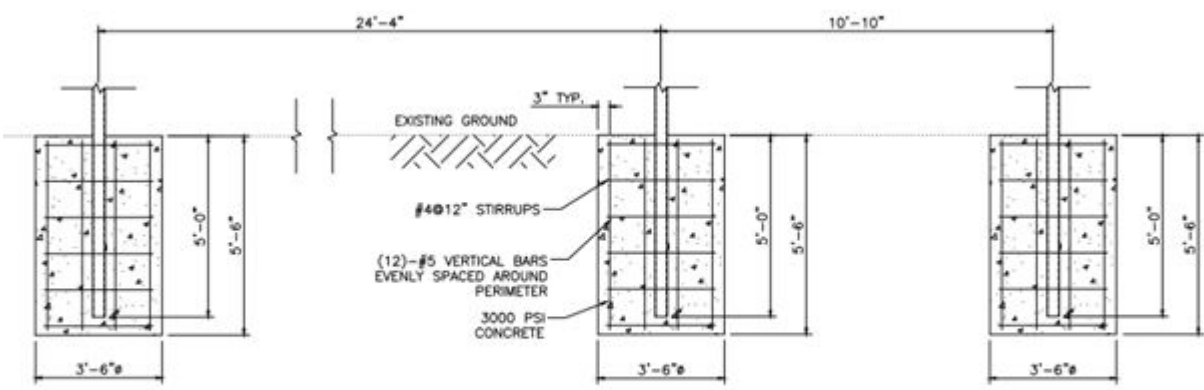
Astro-Glide Gate™
Post layout

NOT TO SCALE

PSS Perimeter Security Solutions™
1300 S Kilbourn Ave Chicago IL 60623
www.perimetersecuritysolutions.com



1 CANTILEVER GATE PLAN
SCALE: NTS



2 24' OPENING GATE FOUNDATION
SCALE: NTS

Notes

1. Design for a 115-mph wind load.
2. Category C ASCE 7-10
3. Rapid Deployed "Easy Install"
4. "No Brackets"
5. Made In America
6. Patented

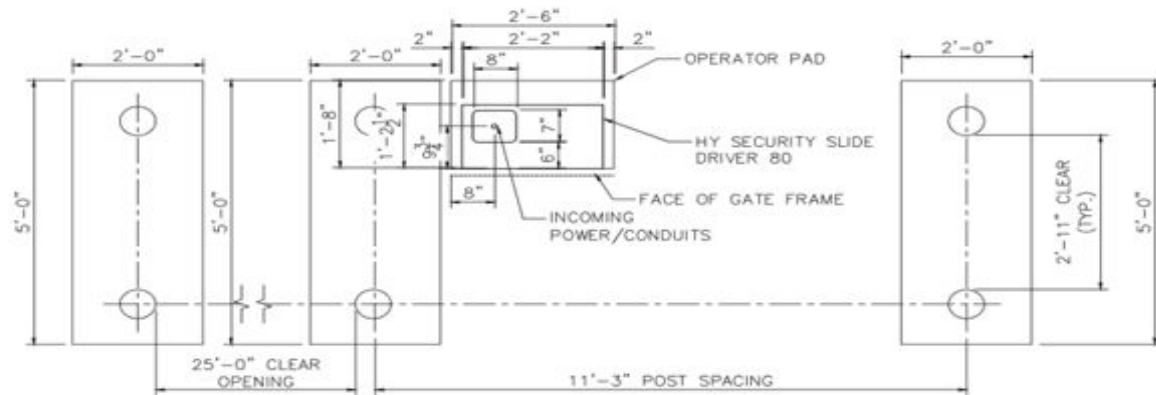


Astro-Glide Gate™
Post layout

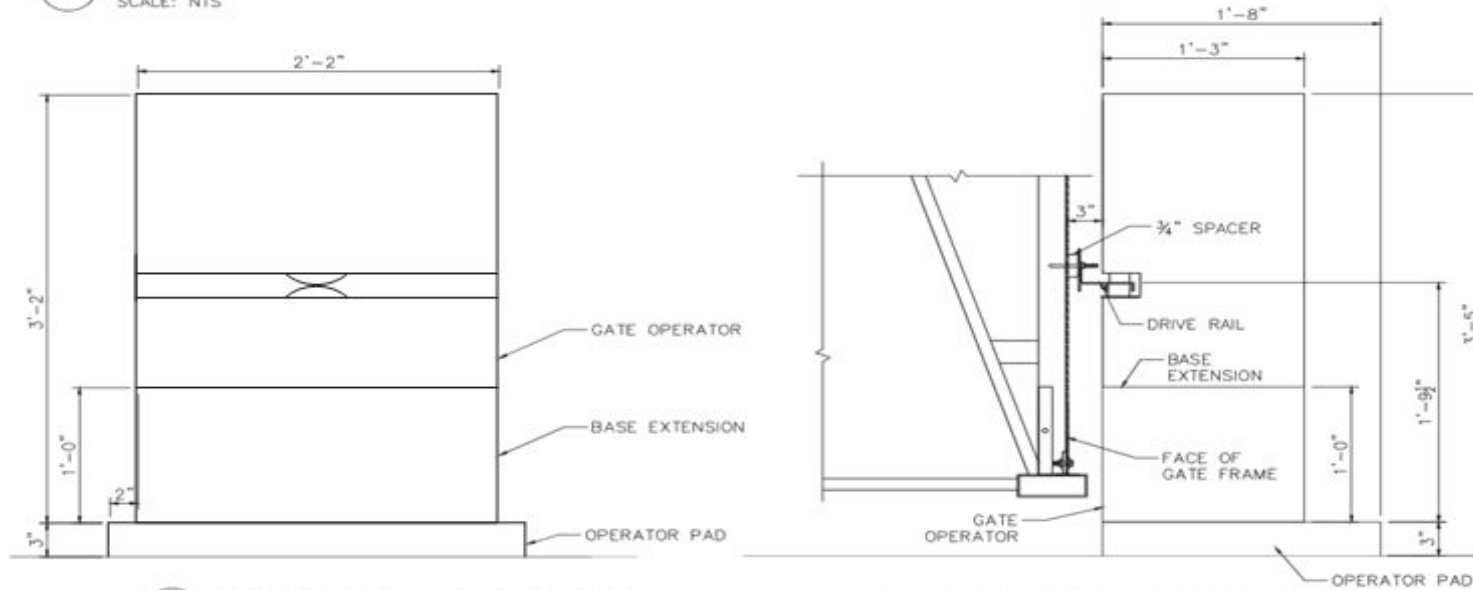
NOT TO SCALE

PSS Perimeter Security Solutions™

1300 S Kilbourn Ave Chicago IL 60623
www.perimetersecuritysolutions.com



1 HY SECURITY SLIDE DRIVER 80 PLAN AND POST FOUNDATION LAYOUT
SCALE: NTS



2 OPERATOR FRONT ELEVATION
SCALE: NTS

3 OPERATOR SIDE ELEVATION
SCALE: NTS

Astro-Glide Gate™
HD 80 Extreme Drive Operator

NOT TO SCALE

PSS Perimeter Security Solutions.™

1300 S Kilbourn Ave Chicago IL 60623

www.perimetersecuritysolutions.com

