

# Perimeter Security Solutions

## IFI-12 Mini Louver Fence

### Security Fence

#### INDEX OF DRAWINGS

<u>SHEET NO.</u>	<u>SHEET TITLE</u>
1	TITLE SHEET AND GENERAL NOTES
2	EXTERIOR ELEVATION
3	TYPICAL DETAILS
4	GATE 1 FRAME
5	GATE 2 FRAME
6	GATE 1 DETAILS
7	TYPICAL DETAILS
8	GATE OPERATOR DETAILS

#### GENERAL NOTES:

1. THE CONTRACTOR SHALL VERIFY EXISTING CONDITIONS, DIMENSIONS, AND ELEVATIONS IN THE FIELD PRIOR TO FABRICATION AND INSTALLATION OF ANY MATERIALS.
2. SECURITY SYSTEM CONDUITS AND CABLES SHALL NOT EXCEED 50 PLF.

#### MATERIAL NOTES:

1. ALL MATERIALS USED ON THE PROJECT SHALL BE AS SPECIFIED. SUBSTITUTIONS SHALL NOT BE PERMITTED WITHOUT APPROVAL FROM COLLINS ENGINEERS, INC.
2. POSTS AND RAILS SHALL BE GRADE 50 PIPES (Fy=30 KSI).
3. ALL WELDING SHALL USE E70XX ELECTRODES.
4. MISCELLANEOUS STEEL (TENSION BARS, TENSION BANDS, BRACE BANDS, BOULEVARD CLAMPS, AND BOLTS) SHALL BE MINIMUM GRADE 30 (Fy=30 KSI).
5. GATE HINGES SHALL BE HEAVY DUTY RATED FOR MIN. 3'X7' GATE DIMENSION.
6. CONCRETE ENCASUREMENT SHALL HAVE MINIMUM COMPRESSIVE STRENGTH (f'c) OF 3000 PSI AT 14 DAYS.

#### Notes

1. Design for a 115-mph wind load.
2. Category C ASCE 7-10
3. Rapid Deployed "Easy Install"
4. "No Brackets"
5. Made In America
6. Patented



**IFI-12 Mini Louver Barrier™**

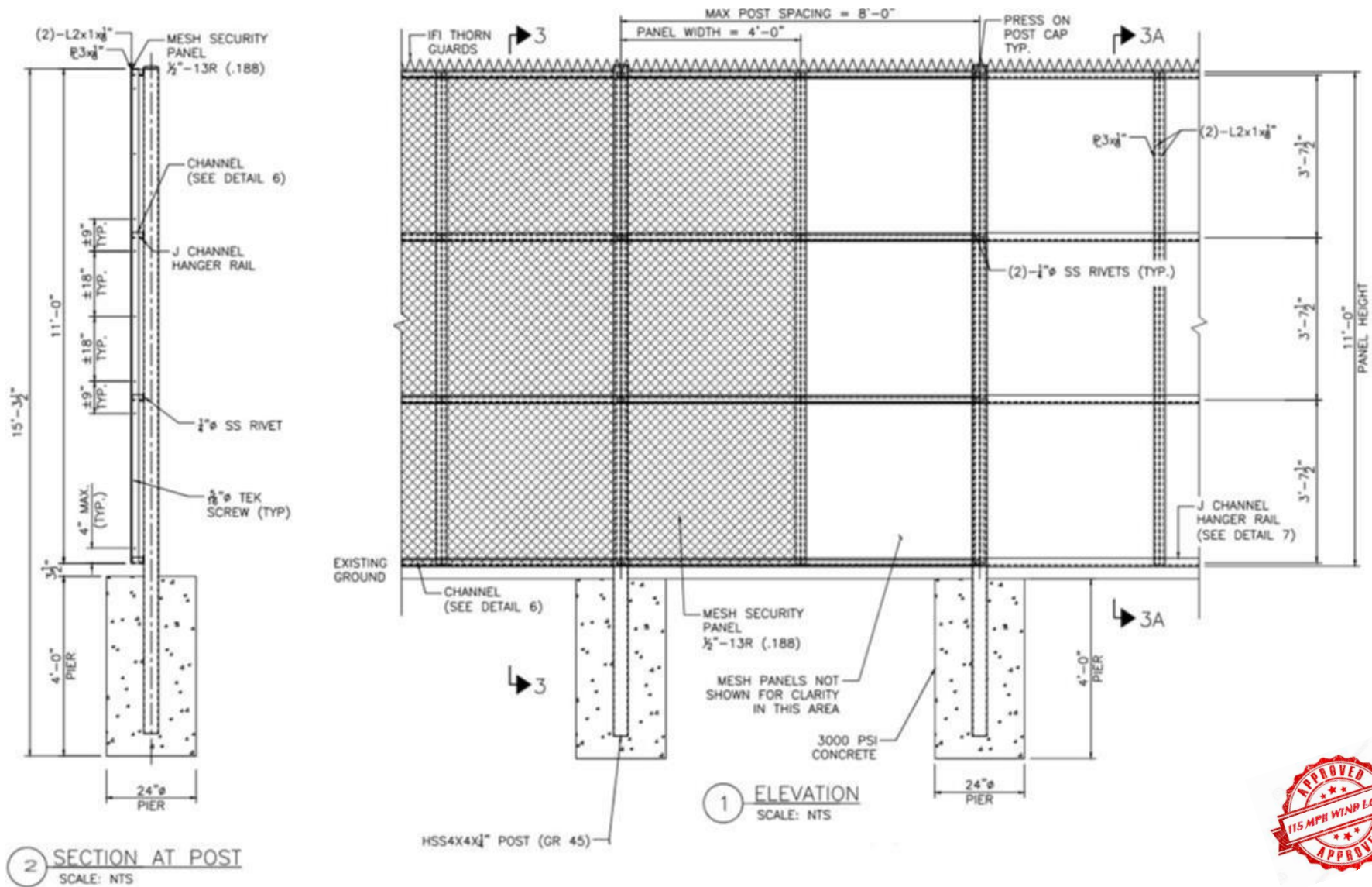
NOT TO SCALE



**Perimeter Security Solutions.™**

1300 S Kilbourn Ave Chicago IL 60623

[www.perimetersecuritysolutions.com](http://www.perimetersecuritysolutions.com)



**Notes**

1. Design for a 115-mph wind load.
2. Category C ASCE 7-10
3. Rapid Deployed "Easy Install"
4. "No Brackets"
5. Made In America
6. Patented



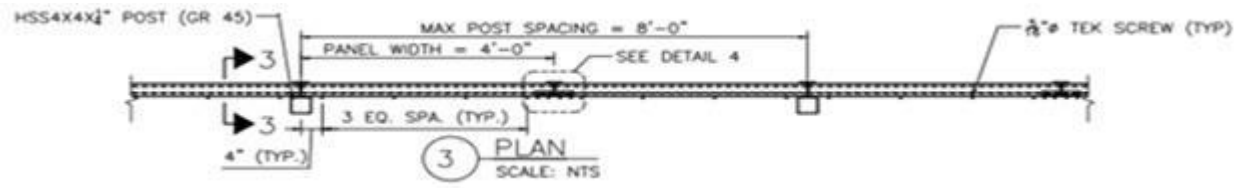
**IFI-12 Mini Louver Barrier™**

NOT TO SCALE

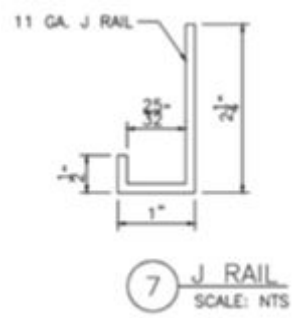
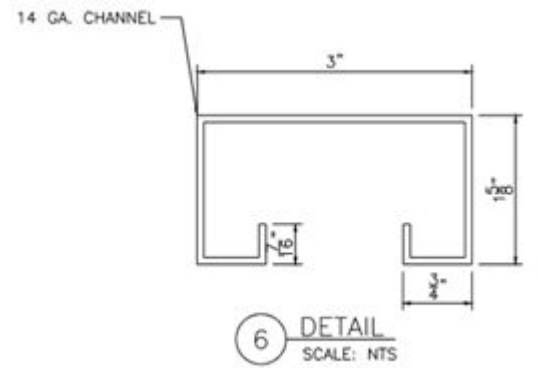
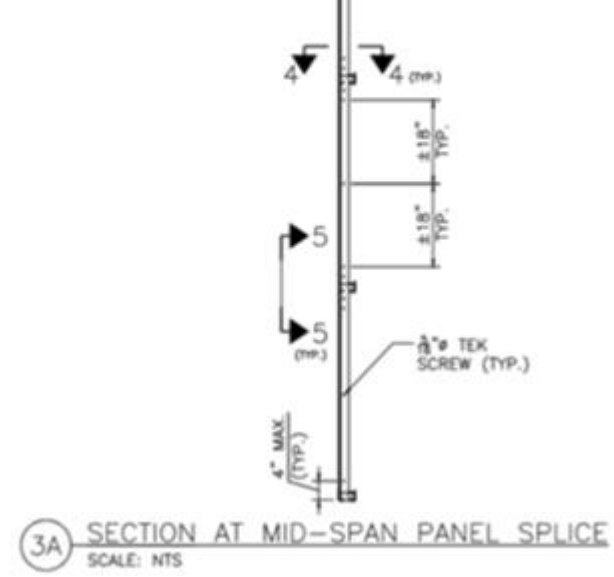
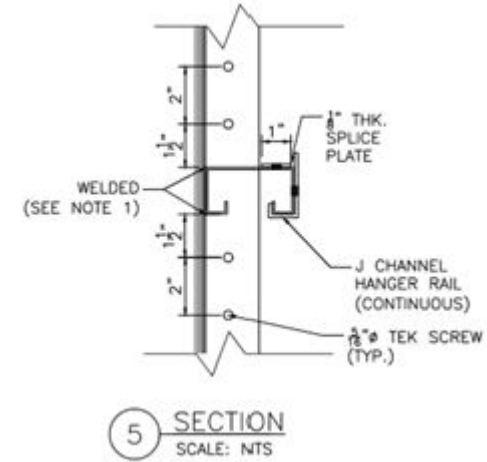
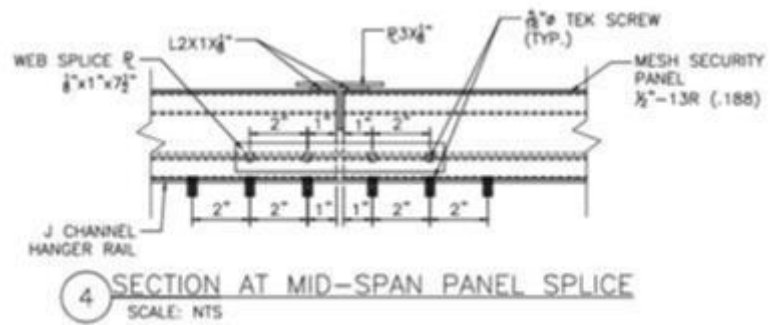
**PSS Perimeter Security Solutions™**

1300 S Kilbourn Ave Chicago IL 60623

[www.perimetersecuritysolutions.com](http://www.perimetersecuritysolutions.com)



NOTE:  
CHANNEL WEB SPLICE (R 1/2"x1"x7/8")  
NOT REQUIRED AT POST LOCATIONS.



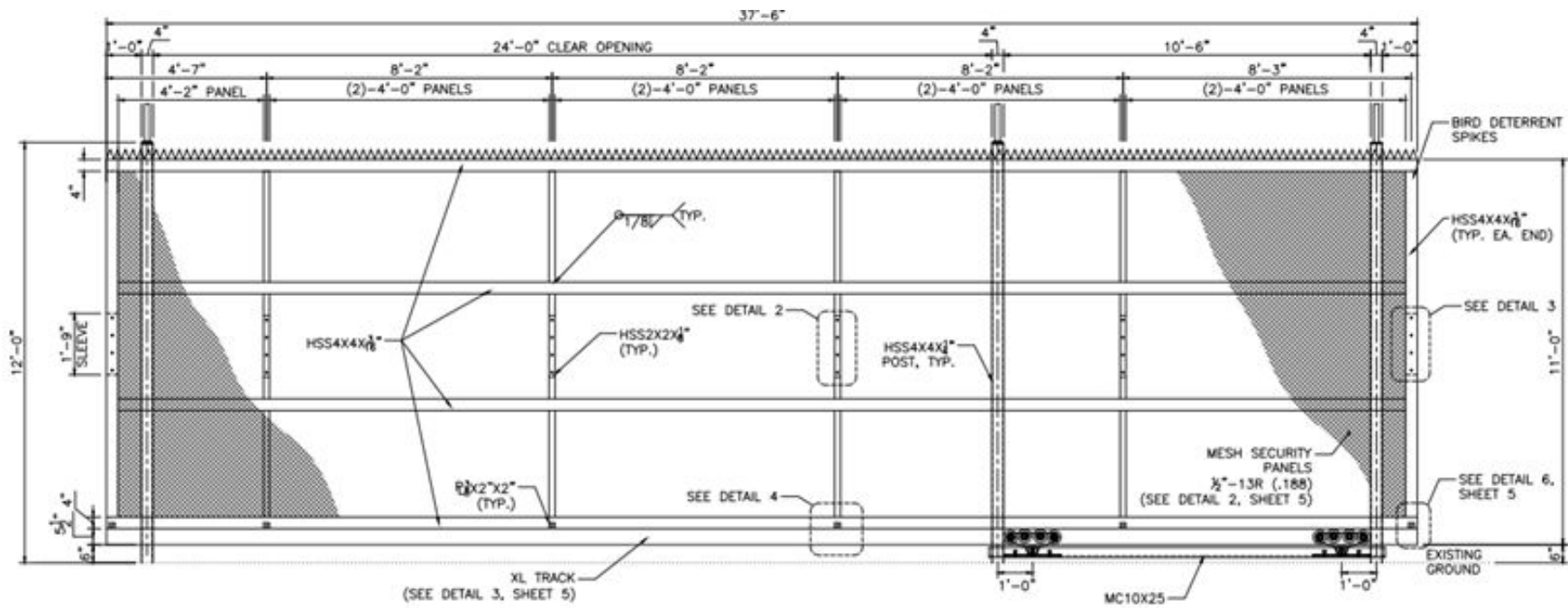
- Notes**
1. Design for a 115-mph wind load.
  2. Category C ASCE 7-10
  3. Rapid Deployed "Easy Install"
  4. "No Brackets"
  5. Made In America
  6. Patented



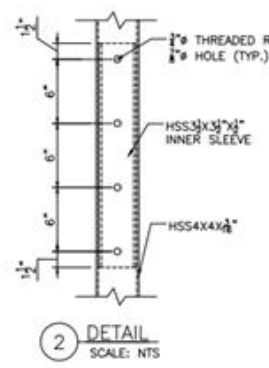
**IFI-12 Mini Louver Barrier™**

NOT TO SCALE

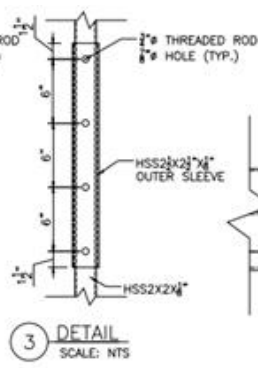
**PSS Perimeter Security Solutions™**  
 1300 S Kilbourn Ave Chicago IL 60623  
[www.perimetersecuritysolutions.com](http://www.perimetersecuritysolutions.com)



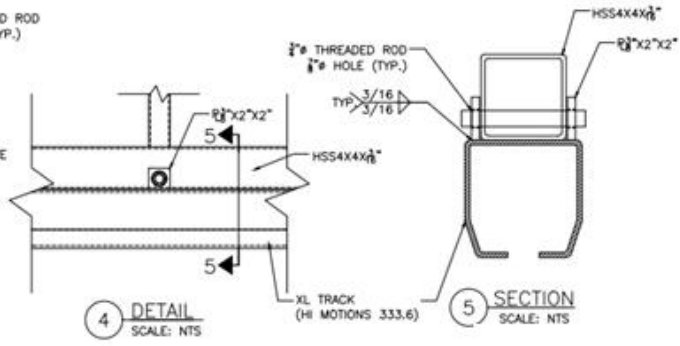
1 CANTILEVER GATE ELEVATION  
SCALE: NTS



2 DETAIL  
SCALE: NTS



3 DETAIL  
SCALE: NTS



4 DETAIL  
SCALE: NTS

5 SECTION  
SCALE: NTS

**Notes**

1. Design for a 115-mph wind load.
2. Category C ASCE 7-10
3. Rapid Deployed "Easy Install"
4. "No Brackets"
5. Made In America
6. Patented

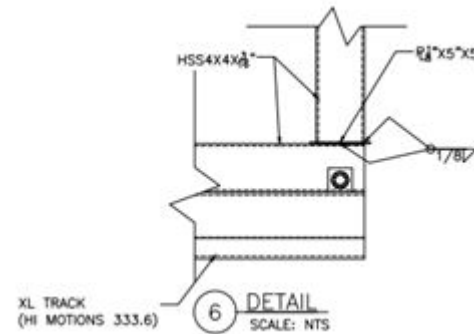
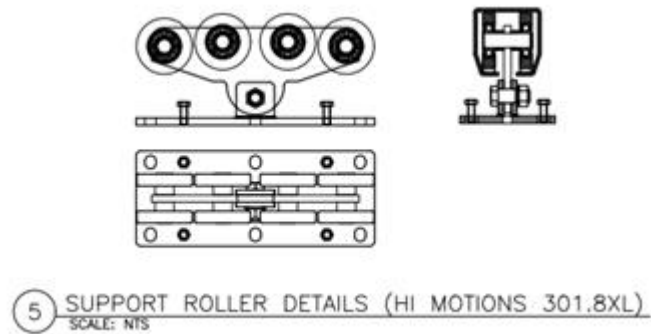
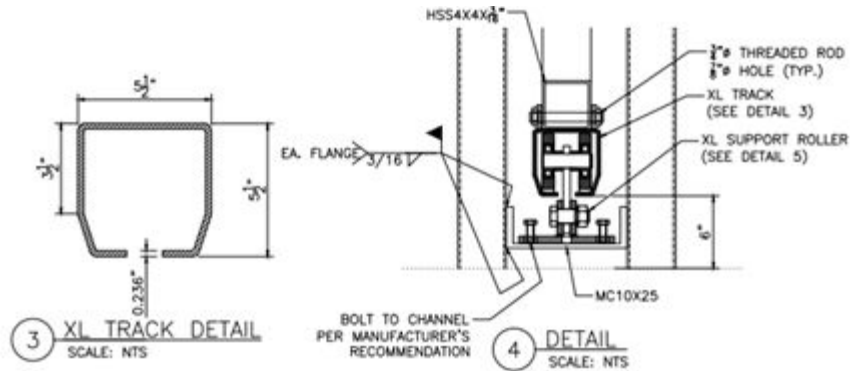
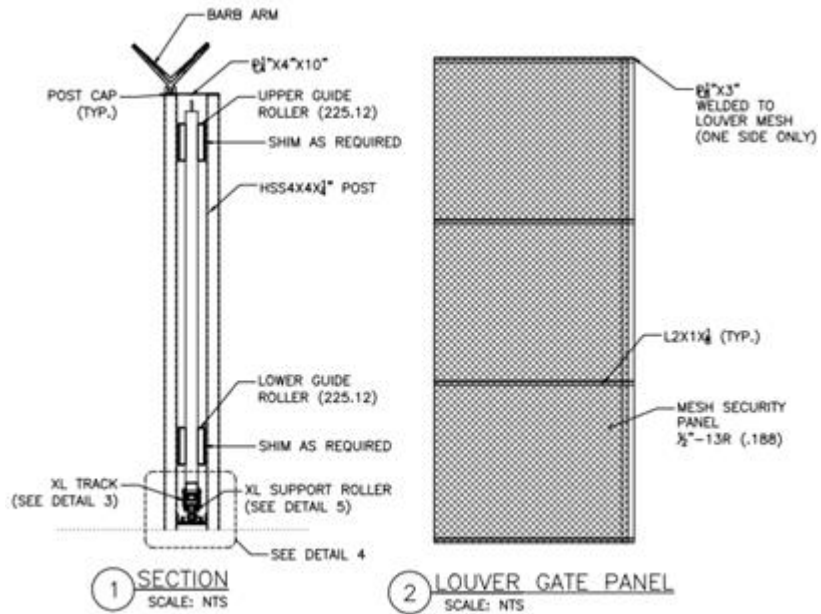


**Astro-Glide Gate™**

NOT TO SCALE

**PSS Perimeter Security Solutions™**

1300 S Kilbourn Ave Chicago IL 60623  
[www.perimetersecuritysolutions.com](http://www.perimetersecuritysolutions.com)



**Notes**

1. Design for a 115-mph wind load.
2. Category C ASCE 7-10
3. Rapid Deployed "Easy Install"
4. "No Brackets"
5. Made In America
6. Patented



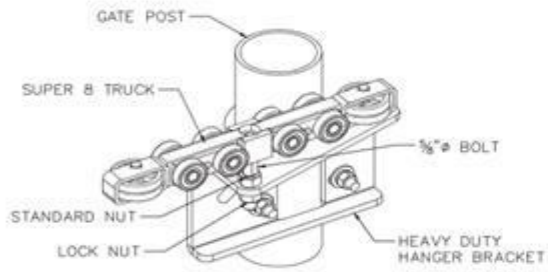
**Astro-Glide Gate™**

NOT TO SCALE

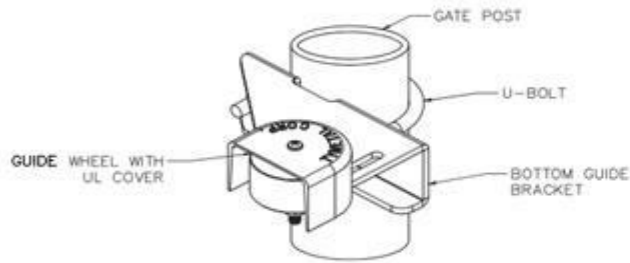
**PSS Perimeter Security Solutions™**

1300 S Kilbourn Ave Chicago IL 60623

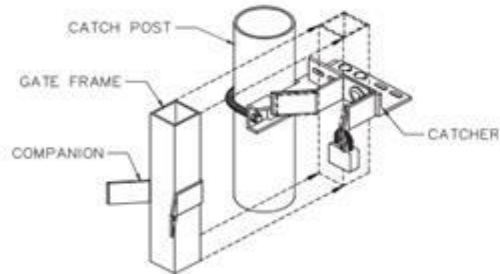
[www.perimetersecuritysolutions.com](http://www.perimetersecuritysolutions.com)



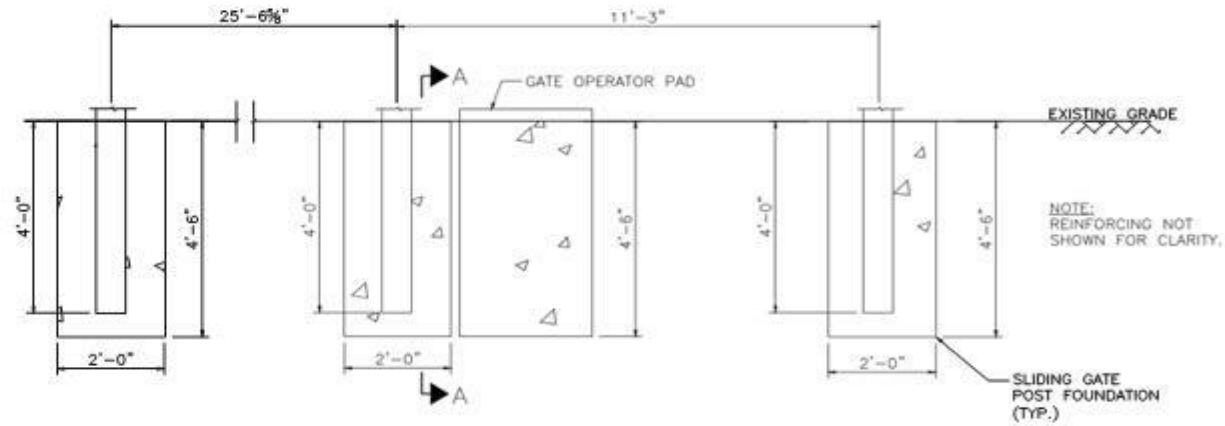
1 GATE HANGER ASSEMBLY  
SCALE: NTS



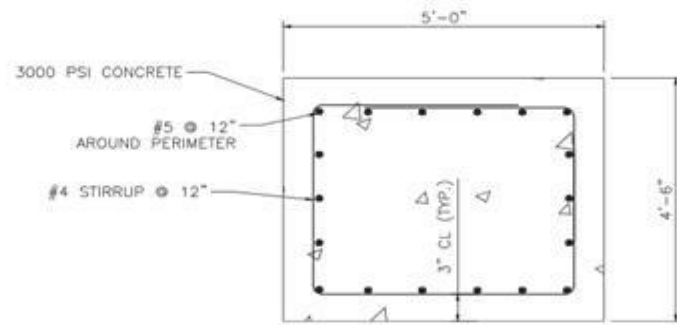
2 BOTTOM GUIDE ASSEMBLY  
SCALE: NTS



3 CATCH ASSEMBLY  
SCALE: NTS



4 GATE FOUNDATION  
SCALE: NTS



5 SECTION A-A  
SCALE: NTS

**Notes**

1. Design for a 115-mph wind load.
2. Category C ASCE 7-10
3. Rapid Deployed "Easy Install"
4. "No Brackets"
5. Made In America
6. Patented



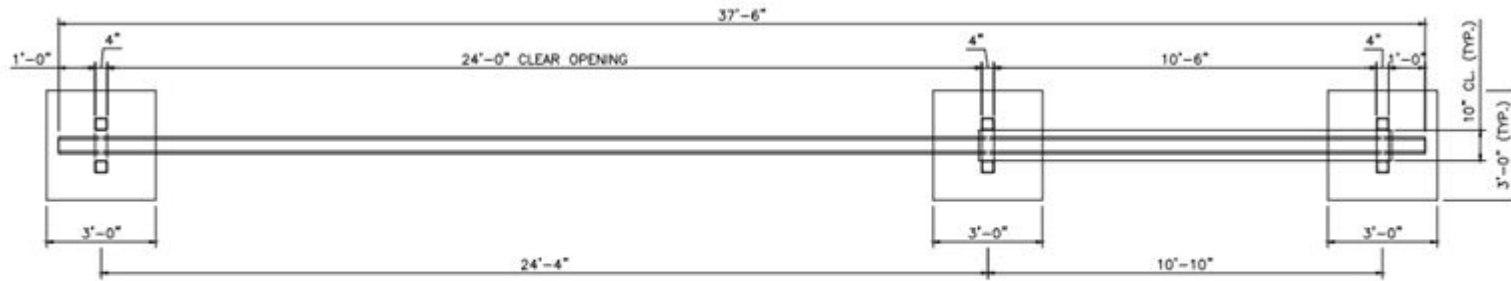
**Astro-Glide Gate™**

NOT TO SCALE

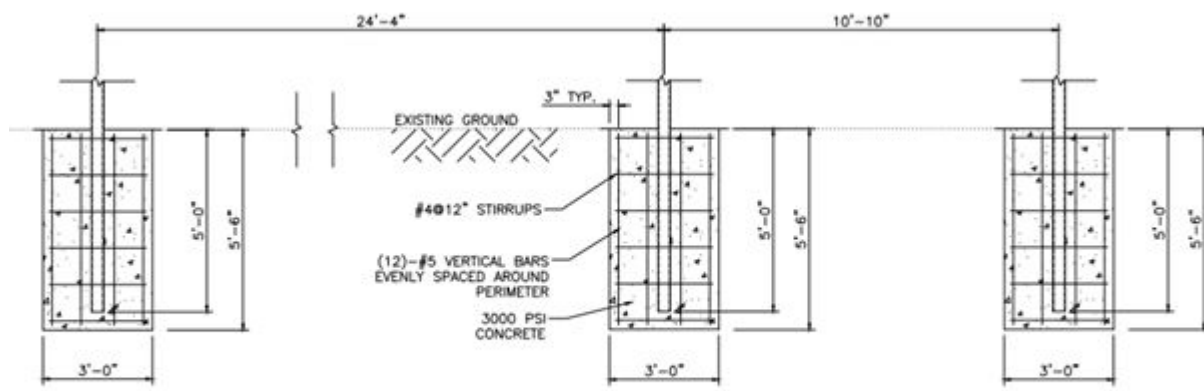
**PSS Perimeter Security Solutions.™**

1300 S Kilbourn Ave Chicago IL 60623

[www.perimetersecuritysolutions.com](http://www.perimetersecuritysolutions.com)



1 CANTILEVER GATE PLAN  
SCALE: NTS



2 24' OPENING GATE FOUNDATION  
SCALE: NTS

**Notes**

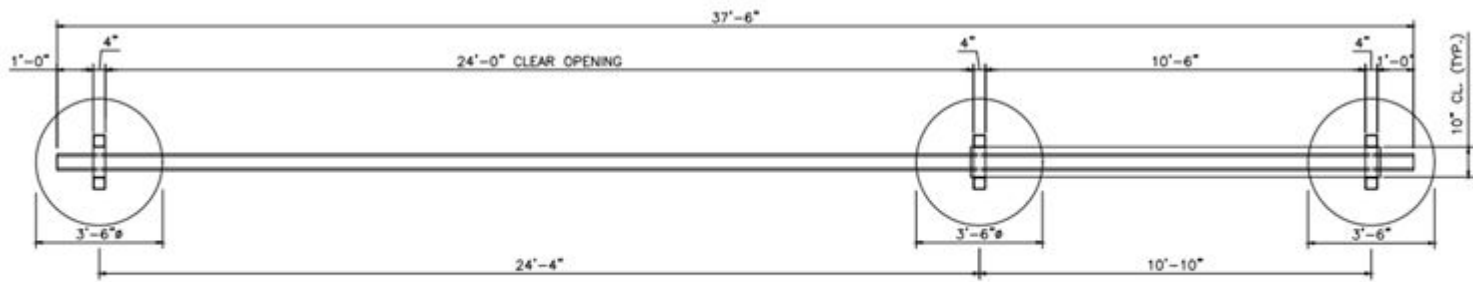
1. Design for a 115-mph wind load.
2. Category C ASCE 7-10
3. Rapid Deployed "Easy Install"
4. "No Brackets"
5. Made In America
6. Patented



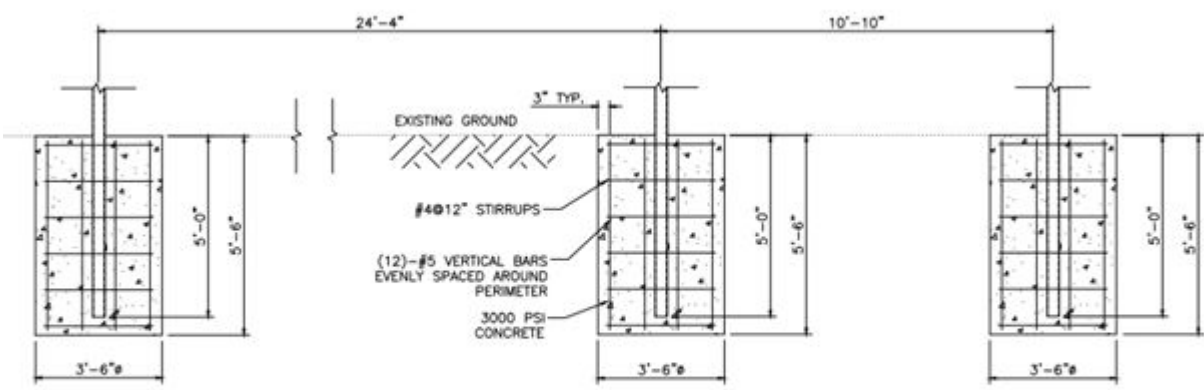
**Astro-Glide Gate™**  
Post layout

NOT TO SCALE

**PSS Perimeter Security Solutions.™**  
1300 S Kilbourn Ave Chicago IL 60623  
[www.perimetersecuritysolutions.com](http://www.perimetersecuritysolutions.com)



1 CANTILEVER GATE PLAN  
SCALE: NTS



2 24' OPENING GATE FOUNDATION  
SCALE: NTS

**Notes**

1. Design for a 115-mph wind load.
2. Category C ASCE 7-10
3. Rapid Deployed "Easy Install"
4. "No Brackets"
5. Made In America
6. Patented

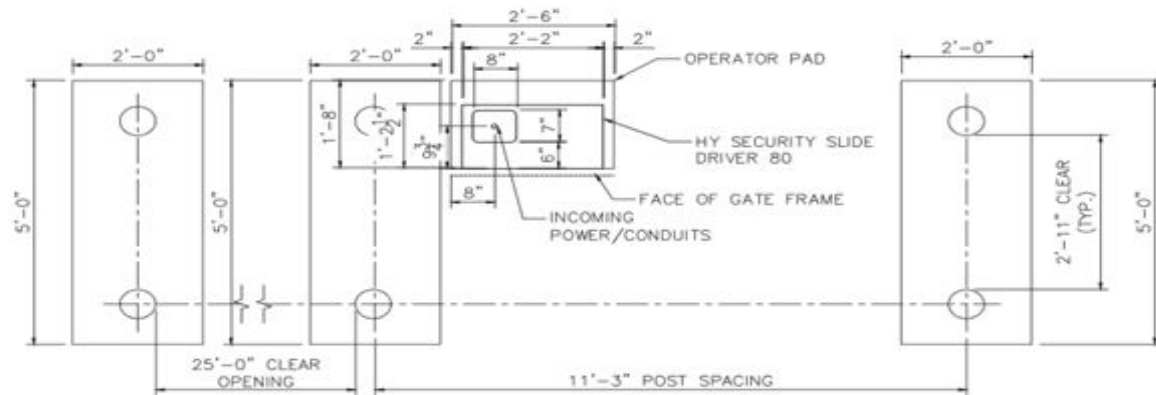


**Astro-Glide Gate™**  
Post layout

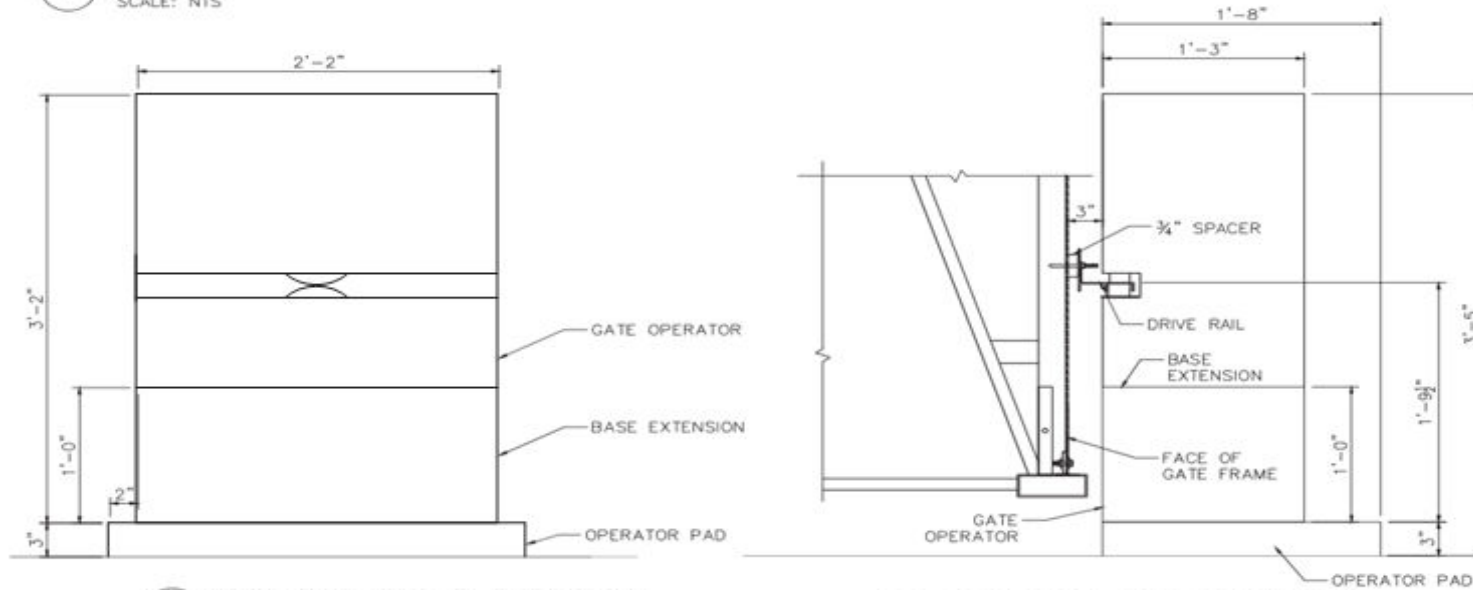
NOT TO SCALE

**PSS Perimeter Security Solutions.™**  
1300 S Kilbourn Ave Chicago IL 60623  
[www.perimetersecuritysolutions.com](http://www.perimetersecuritysolutions.com)





1 HY SECURITY SLIDE DRIVER 80 PLAN AND POST FOUNDATION LAYOUT  
SCALE: NTS



2 OPERATOR FRONT ELEVATION  
SCALE: NTS

3 OPERATOR SIDE ELEVATION  
SCALE: NTS

**Astro-Glide Gate™**  
HD 80 Extreme Drive Operator

NOT TO SCALE

**PSS Perimeter Security Solutions.™**

1300 S Kilbourn Ave Chicago IL 60623

[www.perimetersecuritysolutions.com](http://www.perimetersecuritysolutions.com)

